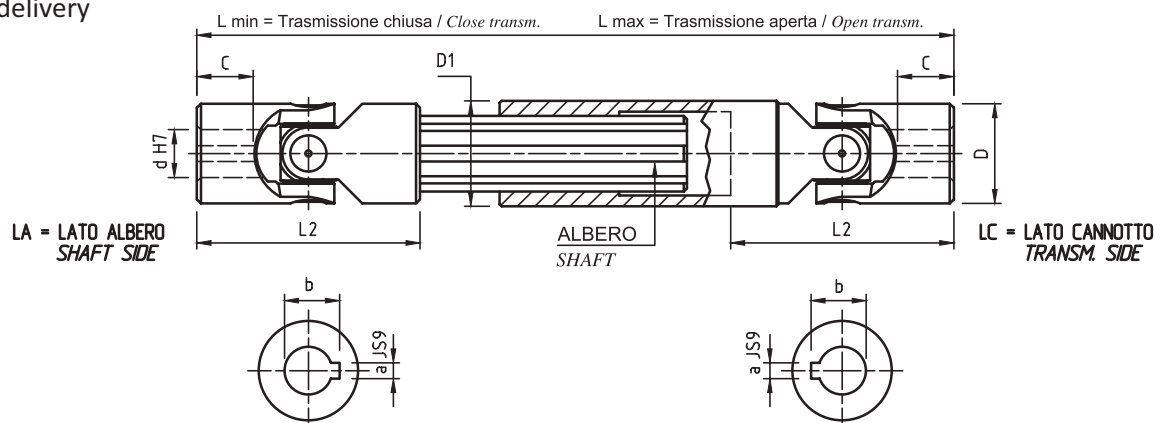


serie «GA»

series (DIN 808)

- Joints series "G" with wear resistant sliding bushes.
- Complete with keyways
- Wide range of lengths per model
- Ready delivery



Mod. Type	Code	d	D	L2	C	L min.	L max.	stroke	a	b	Shaft	D1	Weight Kg
03GA1	SG0A 1010	10	22	48	12	140	170	30	3	11·4	11 x 14 Z6	22	0·31
03GA15	SG0A 1015	10	22	48	12	160	200	40	3	11·4	11 x 14 Z6	22	0·36
03GA2	SG0A 1020	10	22	48	12	180	240	60	3	11·4	11 x 14 Z6	22	0·38
03GA25	SG0A 1025	10	22	48	12	230	330	100	3	11·4	11 x 14 Z6	22	0·50
04GA1	SG0A 1210	12	25	56	13	160	190	30	4	13·8	13 x 16 Z6	26	0·50
04GA15	SG0A 1215	12	25	56	13	180	225	45	4	13·8	13 x 16 Z6	26	0·56
04GA2	SG0A 1220	12	25	56	13	200	270	70	4	13·8	13 x 16 Z6	26	0·62
04GA23	SG0A 1223	12	25	56	13	220	300	80	4	13·8	13 x 16 Z6	26	0·67
04GA26	SG0A 1226	12	25	56	13	250	355	105	4	13·8	13 x 16 Z6	26	0·76
04GA29	SG0A 1229	12	25	56	13	280	420	140	4	13·8	13 x 16 Z6	26	0·84
04GA32	SG0A 1232	12	25	56	13	300	450	150	4	13·8	13 x 16 Z6	26	0·90
05GA1	SG0A 1410	14	28	60	14	170	200	30	5	16·3	13 x 16 Z6	29	0·62
05GA15	SG0A 1415	14	28	60	14	180	220	40	5	16·3	13 x 16 Z6	29	0·64
05GA18	SG0A 1418	14	28	60	14	200	260	60	5	16·3	13 x 16 Z6	29	0·72
05GA2	SG0A 1420	14	28	60	14	220	300	80	5	16·3	13 x 16 Z6	29	0·78
05GA23	SG0A 1423	14	28	60	14	250	350	100	5	16·3	13 x 16 Z6	29	0·87
05GA26	SG0A 1426	14	28	60	14	280	420	140	5	16·3	13 x 16 Z6	29	0·96

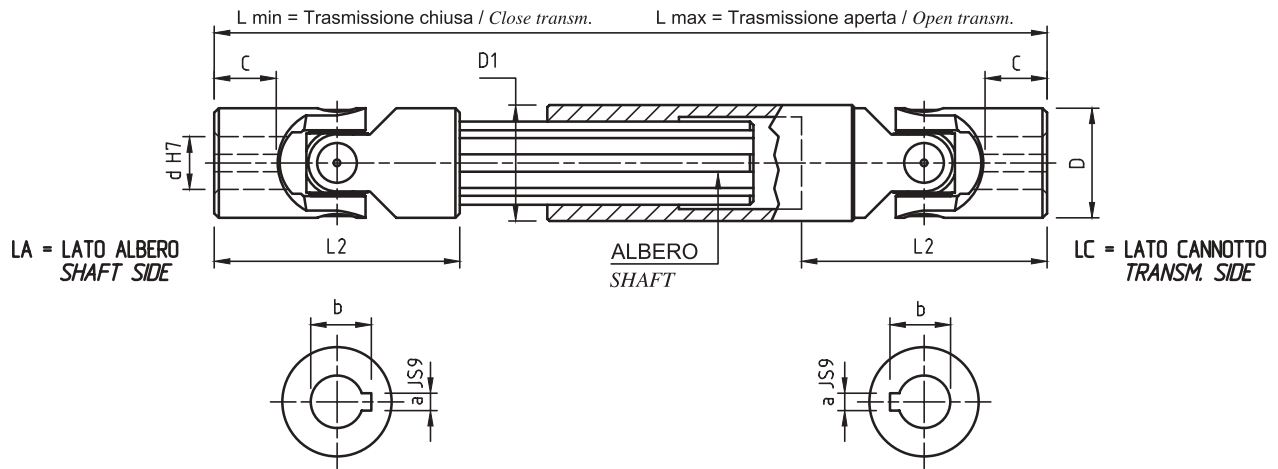
Criteria di scelta pag. - Selection criteria page 38



serie «GA»

series (DIN 808)

- Joints series “G” with wear resistant sliding bushes.
- Complete with keyways
- Wide range of lengths per model
- Ready delivery



Mod. Type	Code	d	D	L2	C	L min.	L max.	stroke	a	b	Shaft	D1	Weight Kg
05GA29	SG0A 1429	14	28	60	14	300	450	150	5	16.3	13 x 16 Z6	29	1.03
05GA32	SG0A 1432	14	28	60	14	350	550	200	5	16.3	13 x 16 Z6	29	1.17
05GA35	SG0A 1435	14	28	60	14	400	650	250	5	16.3	13 x 16 Z6	29	1.33
1GA1	SG0A 1610	16	32	68	16	190	220	30	5	18.3	16 x 20 Z6	32	0.90
1GA15	SG0A 1615	16	32	68	16	210	250	40	5	18.3	16 x 20 Z6	32	0.98
1GA2	SG0A 1620	16	32	68	16	240	320	80	5	18.3	16 x 20 Z6	32	1.10
1GA23	SG0A 1623	16	32	68	16	250	350	100	5	18.3	16 x 20 Z6	32	1.14
1GA26	SG0A 1626	16	32	68	16	275	390	115	5	18.3	16 x 20 Z6	32	1.24
1GA29	SG0A 1629	16	32	68	16	300	430	130	5	18.3	16 x 20 Z6	32	1.33
1GA32	SG0A 1632	16	32	68	16	380	590	210	5	18.3	16 x 20 Z6	32	1.60
1GA35	SG0A 1635	16	32	68	16	400	630	230	5	18.3	16 x 20 Z6	32	1.73
2GA1	SG0A 1810	18	36	74	17	230	280	50	6	20.8	18 x 22 Z6	37	1.35
2GA15	SG0A 1815	18	36	74	17	250	320	70	6	20.8	18 x 22 Z6	37	1.46
2GA18	SG0A 1818	18	36	74	17	270	370	100	6	20.8	18 x 22 Z6	37	1.55

